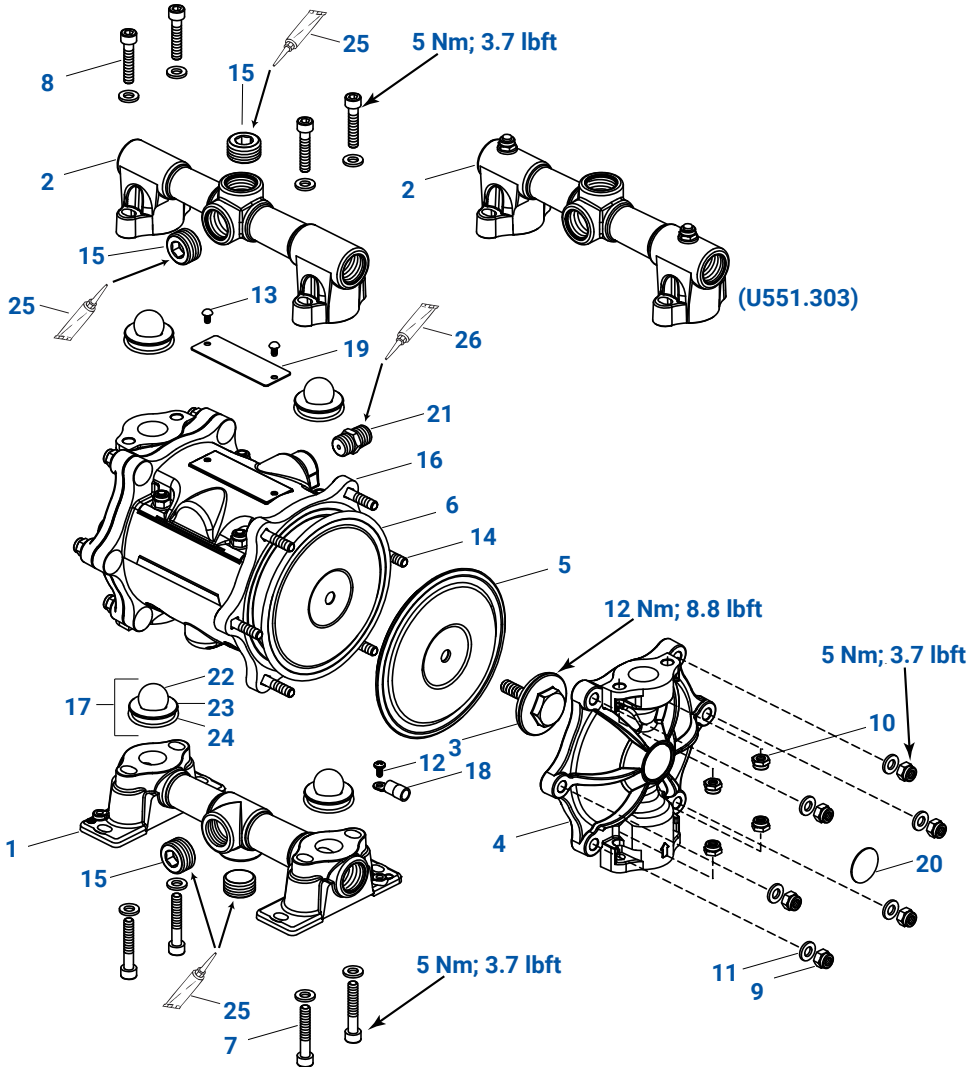


Feeding zip



Components list

		U550.ATRD7	U550.ATSS7	U550.STSS7	U551.303	U551.ATSS7	
POS K	PC	ORDER N.	ORDER N.	ORDER N.	ORDER N.	ORDER N.	DESCRIPTION
	1	U550.ATRD7	U550.ATSS7	U550.STSS7	U551.303	U551.ATSS7	DDP ZIP
1	1	F184.01C	F184.01C	F188.03C	F184.01C	F184.01C	Suction manifold
2	1	F185.01C	F185.01C	F189.03C	T6133.00	F185.01C	Delivery manifold
3	2	F834.07R	F834.07R	F834.07R	F834.07R	F834.07R	Outer diaphragm disc
4	2	F978.01	F978.01	F192.03	F978.01	F978.01	Diaphragm cover
5	2	G921.05	G921.05	G921.05	G921.05	G921.05	Material diaphragm
6	2	G921.06	G921.06	G921.06	G921.06	G921.06	Support diaphragm
7	4	K142.62	K142.62	K142.62	K142.62	K142.62	Screw M6x35
8	4	K183.62	K183.62	--	K183.62	K183.62	Screw M6x30
8	4	--	--	K142.62	--	--	Screw M6x35
9	12	K311.62	K311.62	K311.62	K311.62	K311.62	Nut M6
10	8	9910204	9910204	9910204	9910204	9910204	Nut M6
11	20	9920103	9920103	9920103	9920103	9920103	Washer 6
12	1	K1012.62	K1012.62	K1012.62	K1012.62	K1012.62	Screw
13	2	K1041.62	K1041.62	K1041.62	K1041.62	K1041.62	Rivet
14	12	K1044.62	K1044.62	K1044.62	K1044.62	K1044.62	Screw
15	4	M254.14A	M254.14A	M811.03B	M254.14A	M254.14A	Plug 1/2
16	1	T6103.00	T6103.00	T6103.00	T6103.00S	T6103.00S	Motor
17	4	T6105.00C	T6105.00	T6105.00	T6105.00	T6105.00	Valve-unit
18	1	Y622.00A	Y622.00A	Y622.00A	Y622.00A	Y622.00A	Cable lug
19	1	--	--	--	--	--	Coverplate
20	2	--	--	--	--	--	Cover round plate
21	1	B0177.14	B0177.14	B0177.14	B0177.14A	B0177.14A	Nipples
22	4	K805.07D	K805.03	K805.03	K805.03	K805.03	Ball
23	4	B0148.07R	B0148.03A	B0148.03A	B0148.03A	B0148.03A	Ball seat
24	4	L206.05	L206.05	L206.05	L206.05	L206.05	O-ring
25	1	3201587	3201587	3201587	3201587	3201587	Loctite 577
26	1	9992831	9992831	9992831	9992831	9992831	Loctite 542